



ELECTROCOMPANIET

If music really matters...



AW70B

(Bridgeable to 220W)

Owner's Manual





ELECTROCOMPANIET

If music really matters...

Owner's Manual

AW70B Balanced STEREO / MONO Power Amplifier

Warning:

To avoid risk of fire or electric shock, do not expose this appliance to rain or moisture.

Verify line voltage before use.

Do not remove cover. No user serviceable parts inside. Refer servicing to qualified service personnel.

The warranty is void if the product is tampered with by non-authorized personnel.

Use only authorized Electrocompaniet service center.

Unpacking the AW70B

Immediately upon receipt of the AW70B, inspect the carton for possible damage during shipment. The carton and packaging have been designed to provide the safest possible protection for the transport of your amplifier. Unpack the unit carefully. Save all packaging materials for future shipment.

The contents of the carton

- 1 pcs Electrocompaniet AW70B power amplifier
- 1 pcs AC mains cord
- 1 pcs spare Mains fuse (located in the fuse drawer of the amplifier)
- 1 pcs inspection card

Setup procedure

Before connecting the AW70B to the mains, check that the mains voltage indicated on the rear panel corresponds to the line voltage in the territory you intend to use the unit.

How to avoid damages

Do not under any circumstances connect or disconnect equipment when power is turned on. The design of the RCA plug generates a huge transient when inserted. Connecting or disconnecting equipment with the power on can result in severe damage to both speaker and amplifier. When using the amplifier in mono mode, do not load the amplifier with lower impedance than 4 ohm. Never short the speaker outputs to ground or chassis.

How to avoid noise problems

The AW70B contains delicate circuits that are sensitive to magnetic strayfields. The unit should not be placed near mains transformers, TV sets etc. Care should be taken regarding placement of the interconnect cables. Do not run interconnect cables in parallel with main cords or speaker cables. Keep interconnect and speaker cables as short as possible.

How to avoid antenna problems

In some set-ups hum may occur when you connect the radio, VCR or TV to your system. The problem is caused by DC voltage coming from your antenna. Please contact your cable network operator.

How to connect your system

Please read this page carefully and follow diagram 1 to 4 (page 8-11). Always turn the product off when changing from stereo to mono and from mono to stereo.

Inputs / Outputs

Set the "Stereo / Mono" switch to the desired operation.

(Stereo push in Mono out)

Use a small screwdriver and push the switch located on the rear of the product. A red LED can be observed through the slots of the top cover (right rear).

LED on = Stereo

LED off = Mono

Stereo

Push the "Stereo / Mono" switch in (LED on).

*Use the included ECP5XLR (RCA to XLR adapter) to enter the XLR inputs with a single ended source.

See page 8

Balanced operation:

The balanced mode can only be used if the signal source has a balanced output. Use an XLR interconnect with GND on pin 1, + on pin 2, and - on pin 3.

See page 8

Mono operation:

Push the "Stereo / Mono" switch out (LED off).

Connect one channel of the preamplifier to the Right input of the AW70B.

Leave the left input open.

Connect the positive speaker terminal to the amplifiers positive right output.

Connect the negative speaker terminal to the amplifiers positive left output.

Do not load the amplifier with impedance lower than 4 ohms.

See page 9

Bi-amping:

See page 10

Input level adjustment

Located on the rear side.

Factory setting of the level adjustment is max volume.

Use it to match levels between amplifiers in bi-amping system.

Link

This output can be used to link more amplifiers together.

The output level is independent of the input level set on the amplifier.

Do not short these outputs to ground or together.

How to power up your system

You should always power up your system the following way:

Signal sources (CD player, tuner etc.) first. Then turn on the preamplifier. Allow 30 seconds of preheating before you turn on the power amplifier. After switching on the power amplifier, there will be a 5 seconds delay before the speakers are connected. This will prevent large turn on/off transients to reach the speakers.

When turning your system off, you should start by switching off your power amplifier, then the preamplifier, and finally the signal source devices.

Warning

The amplifier will be warm.

Due to the high class A operating point used in the Electrocompaniet design, it is normal that the amplifier feels warm. Proper ventilation will be needed, and the amplifier should not be covered in. A good rule is to allow 1-2 inches of air sidewise, and 2-3 inches above the amplifier.

Replacing a blown main fuse

Always remove the AC cord from the Inlet.

The main fuse is located in a small drawer in the AC inlet of the unit. If, for some reason the fuse blows, turn the unit off, and remove the AC inlet from the inlet. Open the drawer with a small screwdriver and remove the broken fuse. The spare fuse is located in the hole in front of the main fuse. Push the new fuse gently out of the hole, and place it in correct position (where the blown fuse was removed). Push the drawer gently back to the closed position, connect the power cord and turn the unit on.

NEVER REPLACE A BLOWN FUSE WITH OTHER VALUES THAN PRINTED ON THE UNIT.

Technical Specification AW70B

The following technical data were measured on randomized test objects and are typical data.

All measurements are made with main voltage 120/240 V 50Hz / 60Hz.
Main voltage 120 / 240 V. Clipping point of the amplifier is set to a level where total harmonic distortion (THD) is 0.2%.

Output impedance (20-20kHz)	<0.01 ohm
Input impedance stereo	330kohm
Input impedance mono	165kohm
Input sensitivity for rated output	1.6V (adjustable)
Max. peak current	>60A
THD (1kHz half power, 8ohm)	<0.006%
THD (1kHz -1dB, 8ohm)	<0.007%
Noise (both inputs shortened)	<130uV
Frequency response	DC-65kHz -3dB
Channel separation (1kHz-10kHz).....	>90dB

Rated output power

10% change in line voltage will give app. 20% change in output power.

Stereo:

8 ohm 2 x 70 W

4 ohm 2 x 120W

2 ohm 2 x 160W

Mono:

8 ohm 1 x 220W

Dimensions

Width 483mm (19")

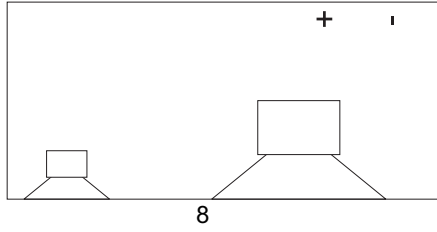
Depth 380mm (15")

Height 110mm (4.3")

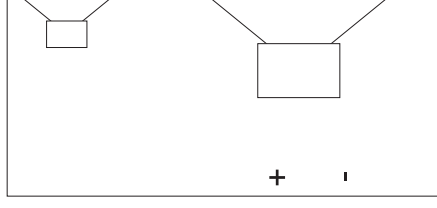
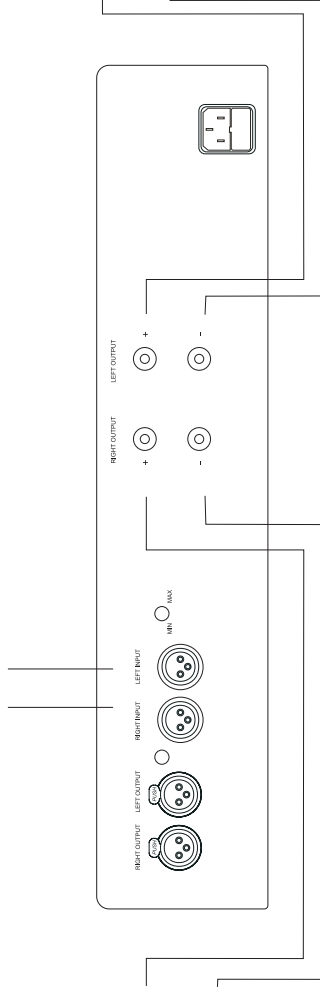
Weight 15kg (33lbs)

The manufacturer reserves the right to alter these specifications without further notice

Stereo

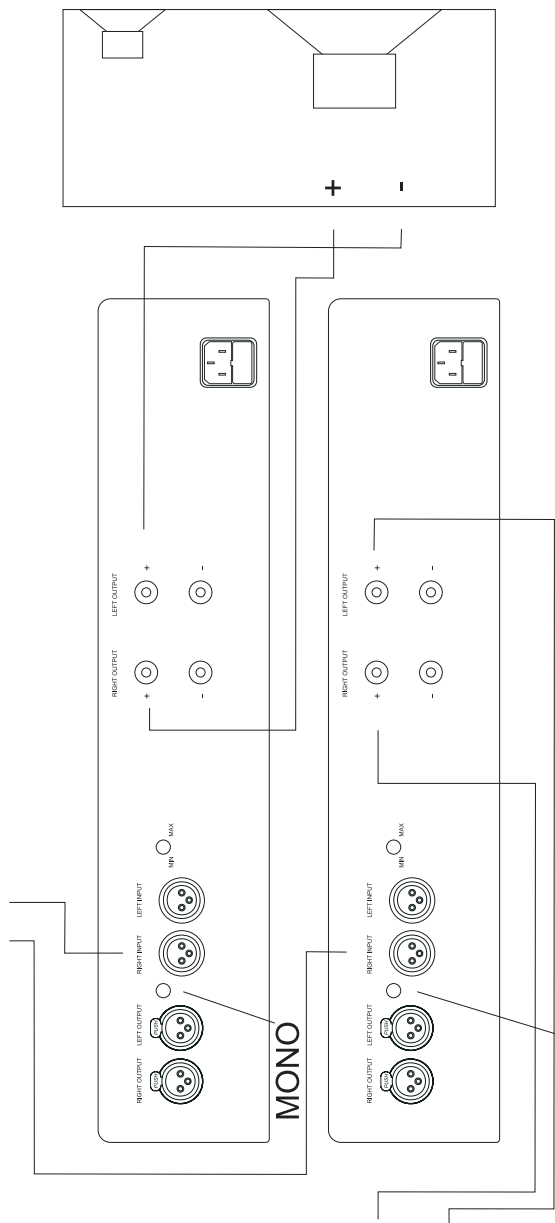


Balanced preamplifier

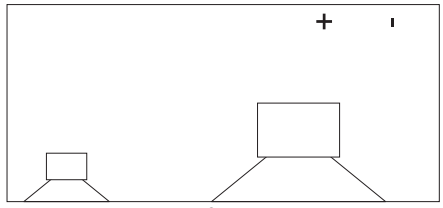


For single Ended preamplifier use 2 pcs. RCA / XLR adapter (ECP5XLR)

Balanced preamplifier

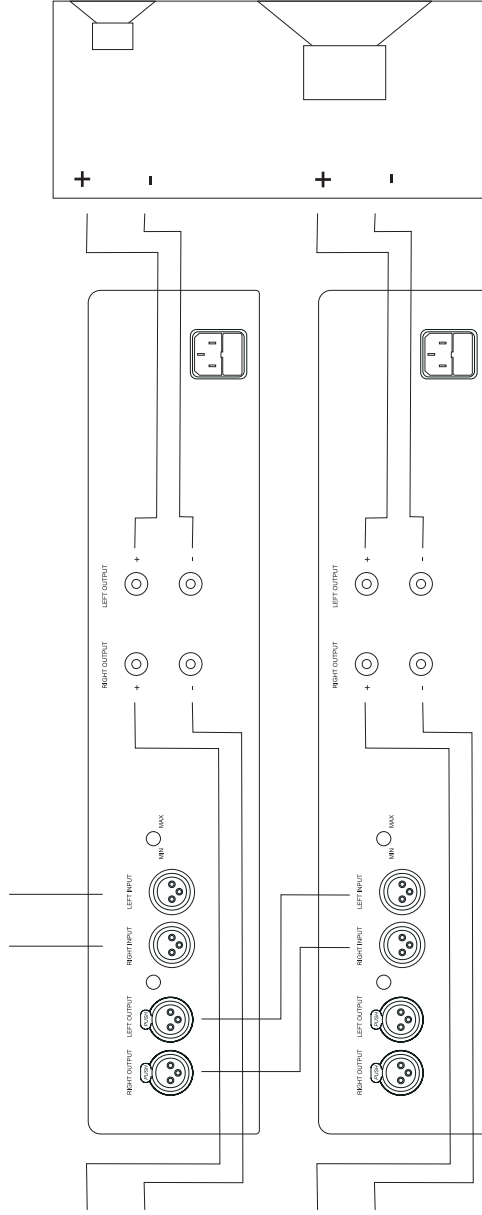


Mono

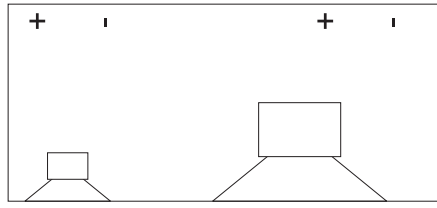


For single Ended preamplifier use 2 pcs. RCA / XLR adapter (ECP5XLR)

Balanced preamplifier

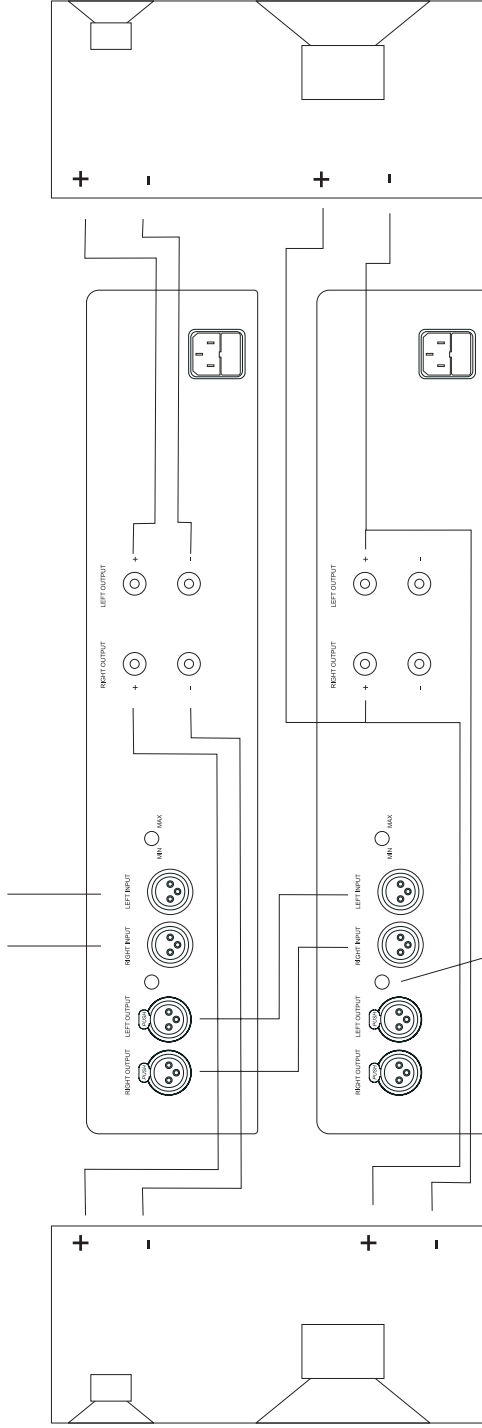


Bi-amp



For single Ended preamplifier use 2 pcs. RCA / XLR adapter (ECP5XLR)

Balanced preamplifier



Mono Bass

MONO

For single Ended preamplifier use 2 pcs. RCA / XLR adapter (ECP5XLR)